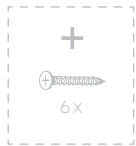
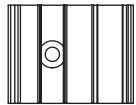


# OVERVIEW

## EVO FLEX

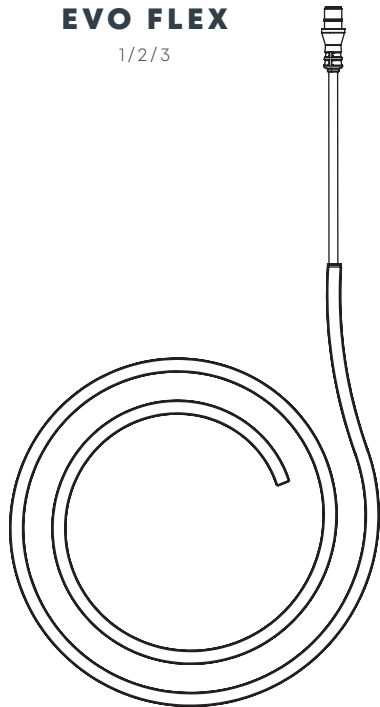
### EVO FLEX

CLIPS (6x)



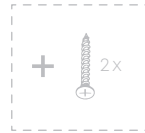
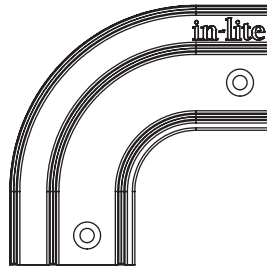
### EVO FLEX

1/2/3



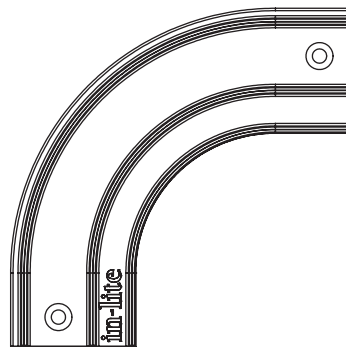
### EVO FLEX

CORNER OUTSIDE



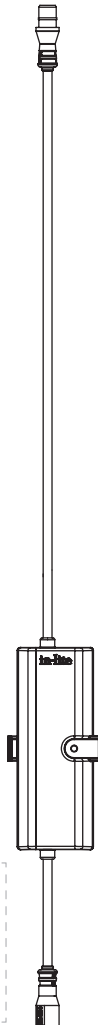
### EVO FLEX

CORNER INSIDE



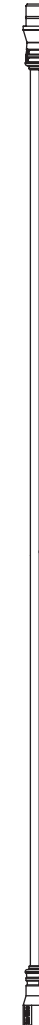
### EVO FLEX

DRIVER 1



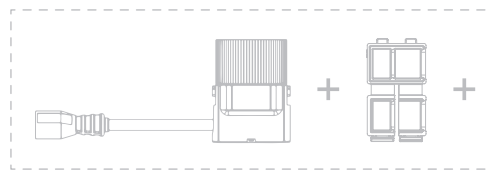
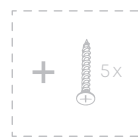
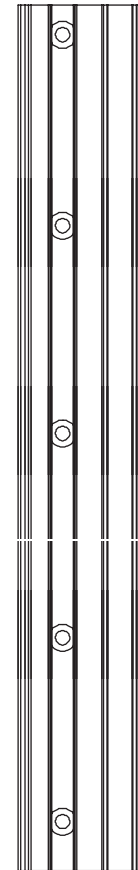
### EVO FLEX

-EXT CORD 1

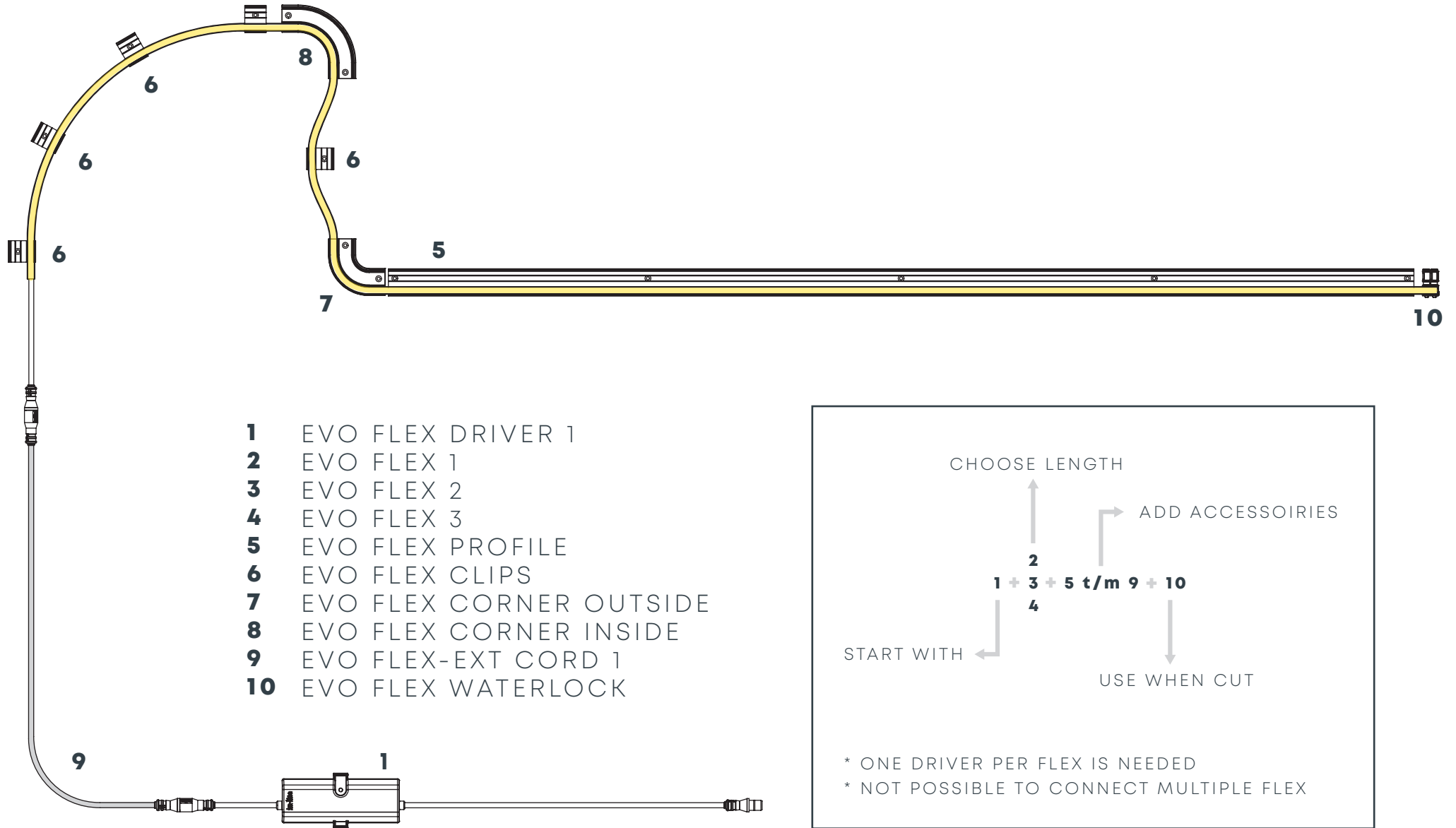


### EVO FLEX

PROFILE



# OVERVIEW EVO FLEX



- 1** EVO FLEX DRIVER 1
- 2** EVO FLEX 1
- 3** EVO FLEX 2
- 4** EVO FLEX 3
- 5** EVO FLEX PROFILE
- 6** EVO FLEX CLIPS
- 7** EVO FLEX CORNER OUTSIDE
- 8** EVO FLEX CORNER INSIDE
- 9** EVO FLEX-EXT CORD 1
- 10** EVO FLEX WATERLOCK

CHOOSE LENGTH

ADD ACCESSOIRES

**1 + 3 + 5 t/m 9 + 10**

START WITH

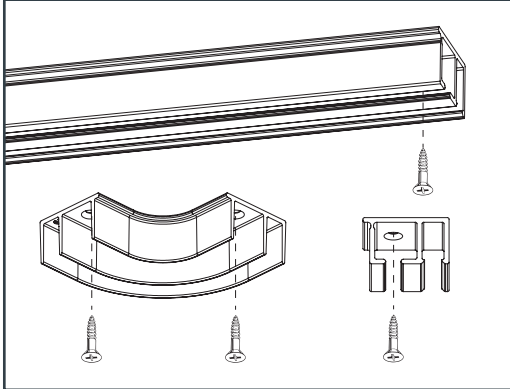
USE WHEN CUT

\* ONE DRIVER PER FLEX IS NEEDED  
\* NOT POSSIBLE TO CONNECT MULTIPLE FLEX

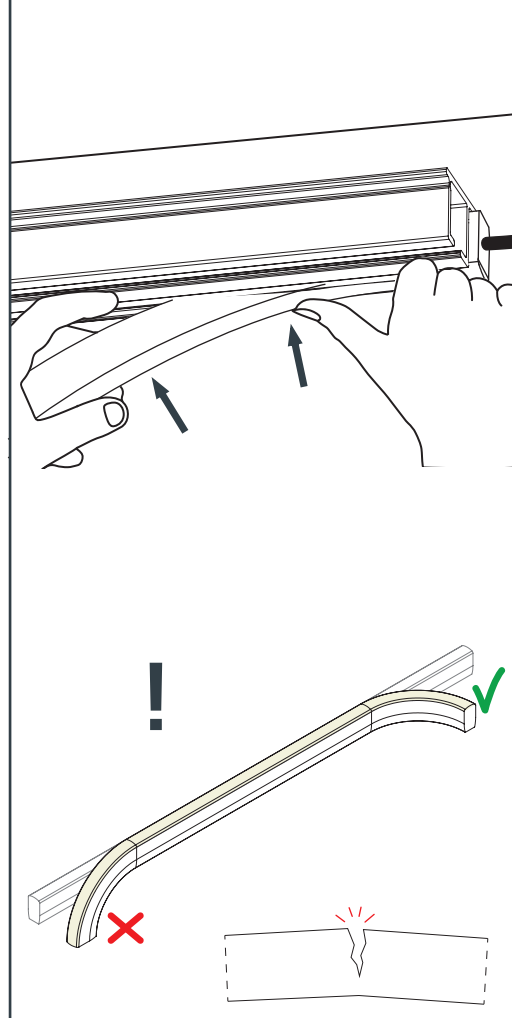
# OVERVIEW

## EVO FLEX

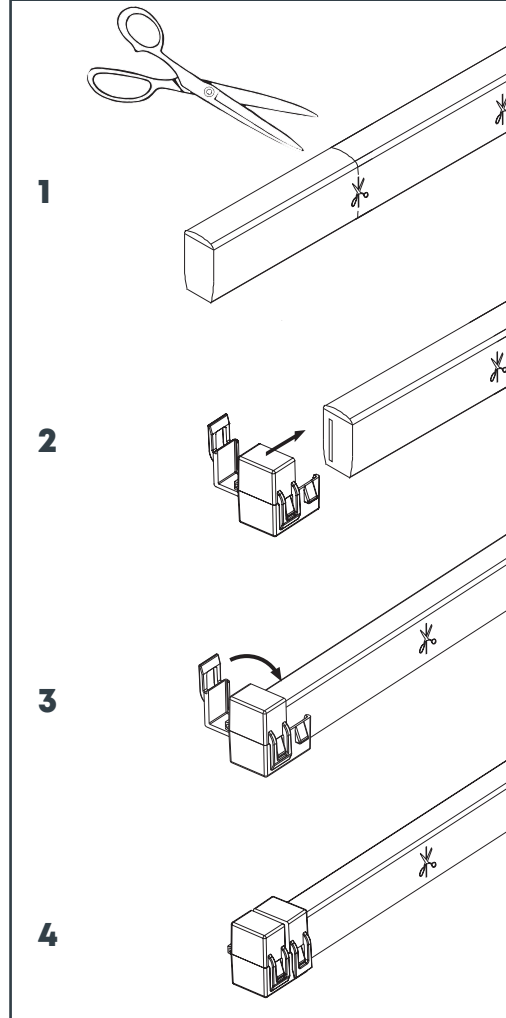
### TEMPORARY FIXING



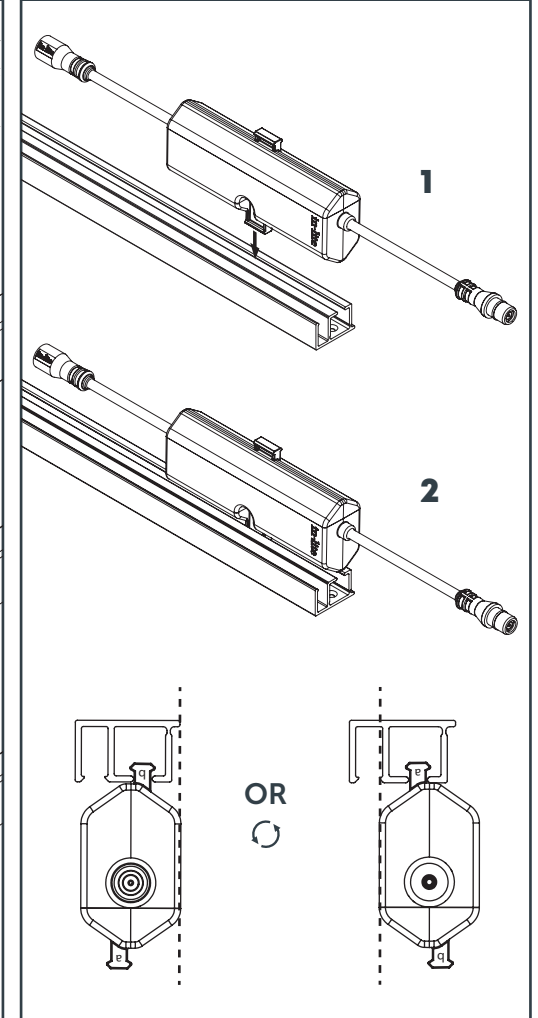
### PLACING THE FLEX



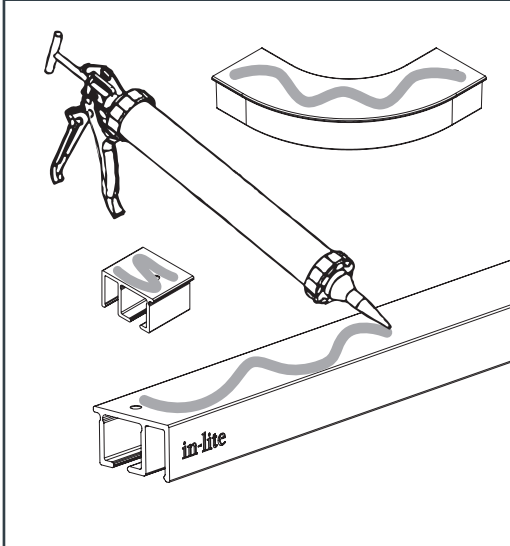
### CUTTING THE FLEX



### PLACING DRIVER (OPTIONAL)



### ATTACHING PROFILE



OVERVIEW  
**EVO FLEX**

